



THE BUILT-IN VACUUM SYSTEM

RECORD THIS INFORMATION FOR FUTURE REFERENCES

MODEL NUMBER _____

DATE OF PURCHASE _____

PLACE OF PURCHASE _____

Manual # FH-CE-e # W510
Rev.: 1/19/08

INSTALLATION AND OPERATING MANUAL

TYPE: VAC-220

MODEL F-220 and MODEL H-220



AS/NZS CS8830N

Important: Instructions must stay with Unit. Owner read carefully.

WARNING:

This manual must be read and understood before installation, adjustment, service or maintenance is performed. This unit must be installed by a qualified technician. Modification of this product can be extremely hazardous and could result in personal injury or property damage.



InterVac Design Corp., Palm City, FL 34990 USA

Phone 772-463-1400 • Fax 772-463-1500

www.intervacdesign.com • e-mail: sales@intervacdesign.com

IMPORTANT SAFETY INSTRUCTIONS

interVac[™]

When using an electrical vacuum cleaner, basic precautions should always be followed including the following: Read all instructions carefully before using this vacuum cleaner.

WARNING: TO REDUCE THE RISK OF FIRE, ELECTRIC SHOCK, OR INJURY:

1. Do not leave appliance when plugged in. Unplug from outlet when not in use and before servicing.
2. Do not use outdoors or on wet surfaces.
3. Never operate this vacuum cleaner without a paper bag and filters in place.
4. Close attention is necessary when used by or near children. Do not allow unit to be used as a toy.
5. Use only for intended use as described in this manual. Use only the manufacturer's recommended attachments and paper bag.
6. Do not use with damaged cord or plug. If appliance is not working as it should, has been dropped, damaged, left outdoors, or dropped into water, return the vacuum cleaner to InterVac or an authorized service dealer for examination and repair.
7. Do not put any object into openings. Do not use with any openings blocked; keep free of dust, lint, hair and any other material that may reduce air flow. When the secondary filter becomes dirty, rinse in warm water or replace with a new filter. Filters shall be completely dry before using.
8. Never drop or insert any object into any opening.
9. Turn off all controls before unplugging.
10. Do not pull or carry by cord, do not use cord as a handle, do not close a door on cord, or pull cord around sharp edges or corners. Do not run appliance over cord. Keep cord away from heated surfaces.
11. Do not unplug by pulling on cord. To unplug, grasp the plug, not the cord.
12. Keep hair, loose clothing, fingers, and all parts of body away from any openings and all moving parts.
13. Do not pick up anything that is burning or smoking, such as cigarettes, matches, or hot ashes.
14. Use extra caution when cleaning on stairs.
15. Do not handle plug or appliance with wet hands.
16. Do not pick up flammable or combustible liquids such as gasoline, or use in areas where they may be present.
17. Do not place objects against the vacuum cleaner. Keep area clear.
18. Do not step on the hose or pull the hose forcibly.
19. Do not pick up large objects such as waste paper or cloth, which may clog the hose.
20. Do not install this vacuum cleaner in an area exposed to high temperatures.
21. Install this vacuum cleaner in a dry place.
22. Do not attempt to service the vacuum cleaner. Unit is sealed and can not be opened without damage to the unit. For service, call your local authorized service dealer, or InterVac Design's Customer Care Center.



WARNING:

This appliance is not intended for use by persons (including children) with reduced physical, sensory or mental capabilities, or lack of experiences and knowledge, unless they have been given supervision or instruction concerning use of the appliance by a person responsible for their safety.

SAVE THESE INSTRUCTIONS

LIMITED WARRANTY

InterVac Design Corp. will repair the power unit with new or rebuilt parts, free of charge for three (3) years from the date of original purchase in the event of a defect in materials or workmanship. No cash refunds. Excluded are the following items that require normal replacement:

Disposable dust bag, filters, vacuum cleaner tools and vacuum hoses.

This warranty is extended only to the original purchaser. A purchase receipt or other proof of date of original purchase will be required before warranty performance is rendered.

You must return your warranty card in order to be covered under these provisions.

This warranty only covers failures due to defects in materials or workmanship which occur during normal use and does not cover damage which occurs in shipment or failures which are caused by products not supplied by InterVac Design, or failures which result from accident, misuse, abuse, neglect, mishandling, misapplication, alteration, modification, or commercial use such as hotel, office, restaurant or rental use of the product, or service by anyone other than an authorized service center, or damage that is attributable to acts of God.

LIMITS AND EXCLUSIONS:

There are no expressed warranties except as listed above.

INTERVAC DESIGN SHALL NOT BE LIABLE FOR INCIDENTAL OR CONSEQUENTIAL DAMAGES RESULTING FROM THE USE OF THIS PRODUCT, OR ARISING OUT OF ANY BREACH OF THIS WARRANTY. ALL EXPRESSED AND IMPLIED WARRANTIES, INCLUDING THE WARRANTIES OF MERCHANTABILITY AND FITNESS FOR A PARTICULAR PURPOSE, ARE LIMITED TO THE APPLICABLE WARRANTY PERIOD SET FORTH ABOVE.

Some states do not allow the exclusion or limitation of incidental or consequential damages or limitations on how long an implied warranty last, so the above exclusions or limitations may not apply to you. This warranty gives you specific legal rights that vary from state to state. If a problem with this product develops during or after the warranty period, you may contact your dealer or our service center. If the problem is not handled to your satisfaction, then write to the Customer Service Center at the company address.

RETURN POLICY

We will not accept shipments without a Return Authorization number. Please e-mail InterVac Design for your RA number. Carefully pack and send the unit prepaid, adequately insured and, preferably, in the original carton. Enclose a letter describing the nature of the problem or complaint. InterVac Design will repair or replace your unit. However our policy is, no cash refunds after the 30 days trial period.

InterVac Model: F220 and H220

interVac™

INSTALLATION

CAUTION: To avoid possible electrical shock, be sure that electricity is turned off at the main switch or circuit breaker. All wiring must be in accordance with the National Electric Code in your country.

Note: Electrical connections should only be made by a qualified electrician.

SERVICING OF DOUBLE-INSULATED APPLIANCES

A double-insulated appliance is marked with one or more of the following: The words DOUBLE INSULATION or DOUBLE INSULATED or the double insulation symbol (square within a square).



In a double-insulated appliance, two systems of insulation are provided instead of grounding. No grounding means is provided on a double-insulated appliance, nor should a means for grounding be added to the appliance. Servicing a double-insulated appliance requires extreme care and knowledge of the system, and should be done only by qualified service personnel. Replacement parts for a double-insulated appliance must be identical to the parts they replace.

To reduce the risk of electric shock, Do not change the electric plug in any way.

Specification: 220/240 Volt, 6 Amp, 1300 Watts, 50/60Hz, Weight 3.75 kg

Parts List:

InterVac Model #F220 / #H220
Paper templates: #W602 or #W600
6' extension cord for H220 only

2 dry-wall anchors
4 painted screws
2 high filtration dust bags #Y08

MODEL: F-220 Recessed Installation

Paper Template # B040E

WARNING: Disconnect all electrical power to wall area before drilling! Do not drill near studs where electrical cable may be secured to studs adjacent to receptacles.

NOTE: The four mounting holes in the outer corners of the flange of the F-220 have to be drilled from the back of the unit with a 5m/m drill bit when the unit is to be recessed into a wall.

Recessed into Drywall, F220 only, (1/2", 12.7m/m thick) Fig.: B

NOTE: The Vacuum Cleaner requires a cavity of 100m/m depth, measured from front of the wall.

- Step 1.** To reach with the vacuum hose as far as possible, choose a wall or surface that is centrally located and has an electrical outlet or a connection directly from a 10 amp circuit breaker. Make sure the wall is hollow and there are no pipes or obstructions in the section you choose.
- Step 2.** The vacuum cleaner can be mounted to the side of a wood stud. No electrical switches or receptacle should be on the installation side when mounted to a wood stud. Locate the space between the mounting stud and the next over. Make sure an electrical receptacle, a switch box or wires from the circuit breaker cable are between the studs and are easy reachable from the vacuum cleaner cut-out in the wall.
- Step 3.** Tape the template against the wall at a comfortable height at the edge of the wood stud (use the vertical cut-out line from the template and align with the edge of the stud).
- Step 4.** Refer to the paper template #B040E for the cut out and installation of the drywall anchors. Use the 2 dry-wall anchors for the dry-wall side and 2 wood screw for the stud.
- Step 5.** Install a 600V, HO5V2, 1.5mm minimum cable (use wires rated for at least 95C) from the electrical power supply and pull the power cable through the cut-out cavity.
- Step 6.** Open the 70m/m x 35m/m side cover and pull the terminal block through the opening.
- Step 7.** Through the 20mm hole in the bottom of the unit insert your 220/240 volt power supply cable rated HO5V2, 1.5mm and connect to the terminal block. The vacuum cleaner may have black and white wires or blue and brown wires. Connect Black or Brown to your Brown wire and White or Blue to your Blue wire.
The ground conductor of the power supply cable is not used and should be cut and insulated with electrical tape. The Vacuum Cleaner is double insulated and does not require a ground wire.
See page 3.
- Step 8.** Wrap the strain relief clamp around the power supply cable and insert with a pair of pliers into the 20mm hole. Slide the unit, bottom first, into the opening in the wall and secure with the four painted screws. Do not over tighten screws. Check to be sure dust bag and motor filter (under dust bag) are in place.

Recessed into Wood Surface: Fig.: B

Same procedure as above, but do not use the drywall anchors. Pre-drill the 4 outer holes 2 m/m dia. and secure vacuum cleaner with the 4 painted screws.

interVac[®] MODEL: H-220 surface mounted (hanging) installation

Paper Template # W601 or #W600 (W602)

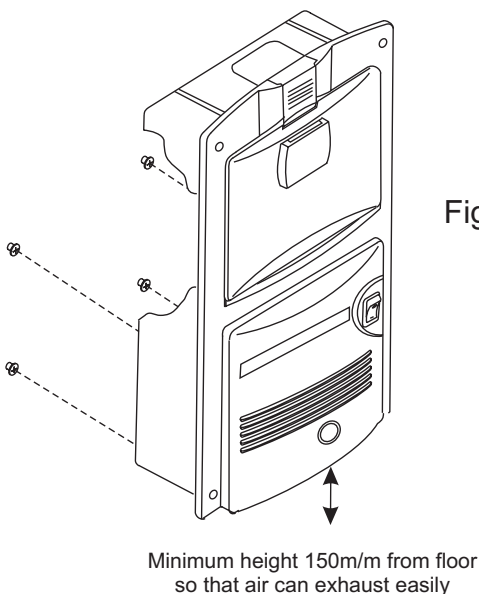
TIP: if you do not like to surface mount the vacuum with screws you can use Velcro, ask for our kit # A015

External to Wood Surfaces: Fig.: A

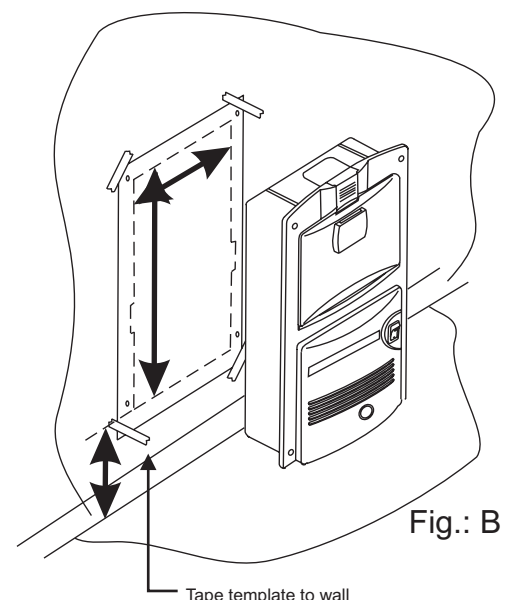
- Step 1.** To reach with the vacuum hose as far as possible, choose a wall or surface that is centrally located and has an electrical outlet close by.
- Step 2.** Tape the paper template to the wall or a surface at a minimum of 150m/m above the floor.
- Step 3.** Attach the enclosed #8 screws to the wall. Keep the screw heads 3.2m/m from the wall.
- Step 4.** Slide the key holes in the back of the vacuum cleaner over the 4 screw heads and push down. If vacuum cleaner is too loose re-tighten screws. **NOTE:** If the unit has been mounted horizontally or in an angle it has a tendency to slide of the screw heads. Attach a small stop block against the top of the housing.
- Step 5.** Check to be sure dust bag and motor filter (under dust bag) are in place.

External to Drywall (1/2", 12.7m/m thick) Surfaces: Fig.: B

- Step 1.** To reach with the vacuum hose as far as possible, choose a wall or surface that is centrally located and has an electrical outlet close by.
- Step 2.** Tape the paper template to wall or surface at a minimum of 150m/m above the floor.
- Step 3.** Align 2 vertical mounting holes with the center of a stud behind the dry-wall. With an awl mark the center of the 4 key holes accurately.
- Step 4.** With a 3 m/m drill bit, pre-drill all 4 holes.
- Step 5.** Now use a 8m/m drill bit to enlarge the 2 dry-wall mounting holes to the correct size.
- Step 6.** Squeeze the two arms of the anchor together and insert through the hole. With a small hammer lightly push the anchor flush with the wall
- Step 7.** Take the red key-pin and push hard into the center of the anchor until it clicks. Do not use a hammer.
- Step 8.** Attach two screws (#8) through the anchors into the wall and two into the stud. Keep the screw heads about 3.2m/m from the wall surface.
- Step 9.** Attach vacuum cleaner to the four screw heads into the four keyholes in the back of the unit, then slide unit down into locked position. If the vacuum cleaner is loose on the screws re-tighten screw heads a little more.
- Step 10.** Check to be sure dust bag and motor filter (under dust bag) are in place.
- NOTE:** If the unit has been mounted horizontally or in an angle it has a tendency to slide of the screw heads. Attach a small stop block against the top of the housing.



**Paper Template:
#W600 wall mounted**



**Paper Template:
W601 recessed mounted**

HOW TO OPERATE YOUR VACUUM CLEANER

interVac™

InterVac Design Corporation Palm City, Florida, 34990 USA
e-mail: sales@intervacdesign.com • Website: www.intervacdesign.com

MODELS: F220 + H220

NOTE: THE LOWER PART OF THE VACUUM CLEANER WILL BE QUITE WARM WHEN IN USE.

IF THE VACUUM STOPS RUNNING:

**THE THERMAL PROTECTOR ON THE MOTOR WILL RESET AUTOMATICALLY AFTER ABOUT 1-1/2 HOUR.
PLEASE SEE TROUBLE SHOOTING GUIDE.**

A. Connecting and disconnecting the hose.

1. Lift the inlet valve cover on the front of the door.
2. Insert hose cuff with a slight twist to secure.
3. To remove, turn hose in either direction while pulling hose towards you.

B. On / Off Switch

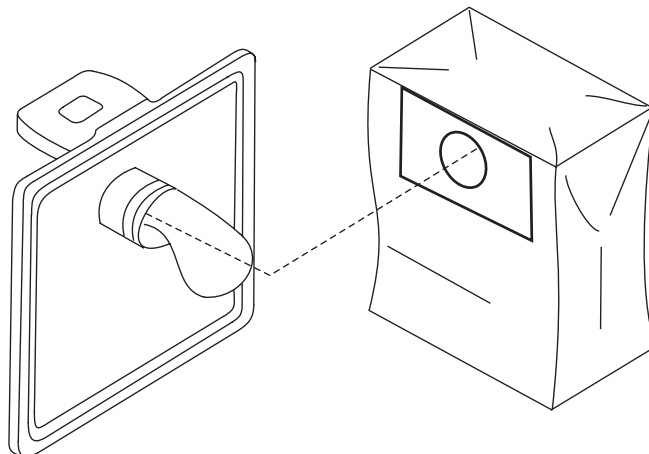
1. To start the vacuum cleaner, push the switch to the "I" position.
2. To stop the vacuum cleaner, push the switch to the "O" position.

C: How to change the dust bag,

Replacement bag # Y05 high filtration or with our Hepa allergy filtration bag # YH1

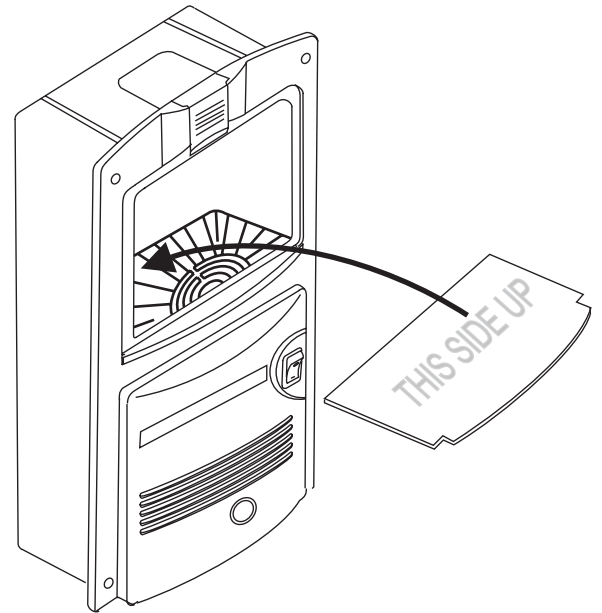
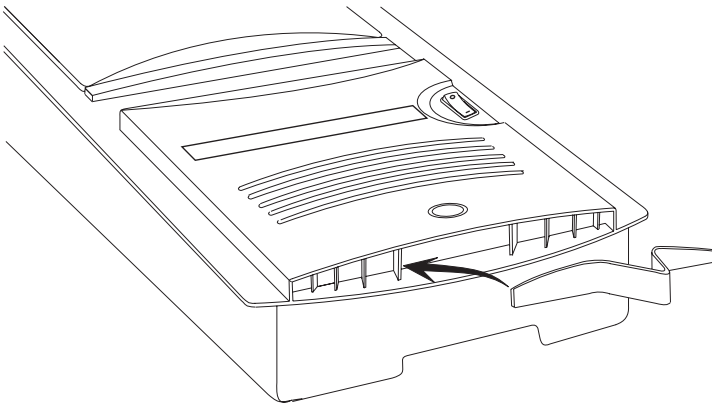
1. Open the door on the vacuum cleaner by pushing the latch upward and remove both door and dust bag.
2. Carry door and dust bag to the trash container. Remove full bag and discard.
3. Place a new dust bag all the way over the scoop on the door.
4. When closing door, tuck in the left and right corners of the bag, so the door is properly sealed and the latch clicks into place.

TIP: If you break off the vacuum hose inlet cover, simply reattach it by lining up one of the small dimples located on the inside of the inlet cover and then press hard on the other side to click into position.



C: To change motor filter, Replacement Part # Y21 (see Fig.: E)

1. Remove door and dust bag.
2. Reach into the cavity towards the bottom of the vacuum cleaner and remove the motor filter.
3. Replace the filter with a new filter and tuck in the corners so that the filter lays flat on the grid, with the printed words "**THIS SIDE UP!**" facing upward.
4. If necessary, clean the dirty filter by vacuuming or washing in mild soap by hand.
Do not clean in washing machine. Let filter dry completely and reuse as needed.



D: Replacing Exhaust Filter, Part #Y41:

*Pinch exhaust filter in the middle and pull out.
To replace, pinch in the middle and slide in one side first.*

**E. Replacing motor filter
Part # Y21**

tuck-in the corners and sides carefully under the ribs

TROUBLE SHOOTING:

TIP : *If you use our very convenient stretch hose, but require more suction power, we recommend you try our traditional central vacuum hose.*

NOTE: IF MOTOR SUDDENLY STOPS:

1. *The most common cause is a clogged hose. See cleaning instructions.*

TIP: *Disconnect vacuum hose from cleaner, hold one end high up in the air and drop a coin into the hose. If the coin gets stuck the hose is clogged. Try to unclog the hose with a long stick or stiff wire.*

2. *The bag is overfilled or fine dust has clogged the bag.*
3. *The vacuum cleaning tools are clogged.*
4. *Vacuuming large amounts of dust other than household dirt, such as dry-wall or fine wood dust can block the bags pores fast, **even if the bag is new.***
5. *The motor filter is dirty and should be cleaned or replaced.*
6. *Vacuum unit is installed in a tight compartment and air cannot exhaust, the motor will overheat and shut off until cooled down.*
7. *The exhaust filter should be checked and washed.*

CLEANING THE STRETCH HOSE:

The stretch hose, besides all its' conveniences, has a tendency to get clogged, especially if you have pets.

- a) *lift the hose up on both ends and dispense some liquid detergent into both ends.*
- b) *with a garden hose, holding both ends still up, fill ¾ with water.*
- c) *shake hose up and down, let detergent loosen the dirt.*
- d) *stretch the hose as far as you can (2 people required) and wash the dirt out with the full pressure of the garden hose. Repeat if necessary.*
- e) *Hang hose up on one end. Let hose drain and dry completely. It may take 24 hours.*

CAUTION:

**DO NOT PICK UP LIQUIDS, LIT CIGARETTES, HOT ASHES,
RAZOR BLADES, NEEDLES, PINS OR OTHER SHARP OBJECTS!**

interVac™ ACCESSORIES



Complete Tool Kit
(Includes all item on the right)
PART # 705 for Models H, F,
PART # 705B for Models RM,



40' Stretch Hose As'bly for H220 +F220. **PART# A002**
40' Stretch Hose As'bly for RM220. **PART# A002B**



2 Part Upholstery Tool **PART # X300**



Crevice Tool **PART # X200**



Dust Brush **PART # X250**



Floor/Rug Tool **PART # X403**




Mesh Storage Bag **PART # X501**



Telescoping Wand, **PART # X154**


DUST BAGS:
PART # Y05-5 (5 pack) high filtration bags for Models H, F,
PART # Y06-5 (5 pack) high filtration bags for Models RM,




NOTE: All Power Units come with 2 Dust Bags

OPTIONAL VACUUM TOOLS


30 Foot Traditional Central Vacuum Hose
PART #A006 for Models H, F,
PART # A006B for Models RM,




Battery Operated Power Brush with Charger(120volt)
PART # X453



Air Turbo Nozzle
PART # X452



Special Inlet Valve "VAC-PAN"
PART # 505 Black



INTERVAC reserves the right to make improvements and modifications without notice.